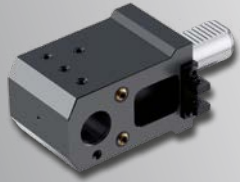
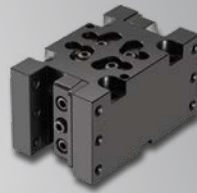




SPECIAL PROMOTION 2023



Worldwide
+450 Customers around the world/
+40 Countries where KINTEK is distributed



Special production
20% special products realized every year on your demands



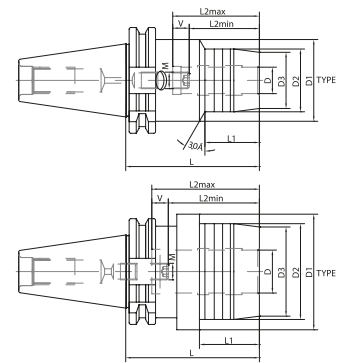
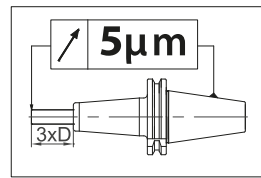
Quality
97% Customers satisfaction rate



HYDRO-EXPANSION CHUCKS FOR TOOLS WITH CYLINDRICAL SHANK

HYDRO-DEHNSPANNFUTTER FÜR WERKZEUGE MIT ZYLINDERSCHAFT MANDRINI IDRAULICI PER UTENSILI ATTACCO CILINDRICO
 CONOS HIDRAULICOS PARA HERRAMIENTAS CON MANGO CILINDRICO MANDRINS HYDRO-EXPANSIBLES POUR OUTILS
 А QUEUE CYLINDRIQUE
 ГИДРАВЛИЧЕСКИЕ ПАТРОНЫ ДЛЯ ИНСТРУМЕНТА А QUEUE CYLINDRIQUE
 С ЦИЛИНДРИЧЕСКИМ ХВОСТОВИКОМ 适用圆柱刀柄的液压膨胀夹头

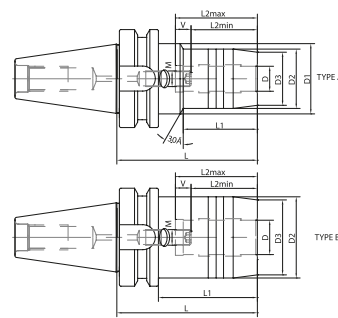
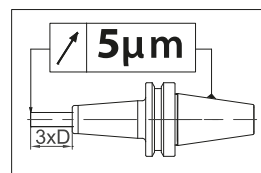
DIN69871 AD



CODE N.	PRICE	DESCRIPTION	ISO	D	D1	D2	D3	L	L1	L2 min	L2 max	V	M	TYPE	G2,5 25000
252-11305	232,00	TC40-HC6-80,5	40	6	50	28	25	80,5	44	27,5	37,5	10	M5x0,8	A	•
252-11307	232,00	TC40-HC8-80,5	40	8	50	30	27	80,5	44	27,5	37,5	10	M6x1	A	•
252-11309	228,00	TC40-HC10-80,5	40	10	50	32	29	80,5	44	32,5	42,5	10	M6x1	A	•
252-11311	228,00	TC40-HC12-80,5	40	12	50	34	31	80,5	44	37,5	47,5	10	M6x1	A	•
252-11327	228,00	TC40-HC14-80,5	40	14	50	36	33	80,5	44	37,5	47,5	10	M6x1	A	•
252-11313	228,00	TC40-HC16-80,5	40	16	50	38	35	80,5	48	42,5	52,5	10	M8x1	A	•
252-11328	228,00	TC40-HC18-80,5	40	18	50	41	38	80,5	30	42,5	52,5	10	M8x1	A	•
*252-11325	184,00	TC40-G20CS-64,5	40	20	-	49,5	40	64,5	45,5	42,5	52,5	10	M8x1	A	•
252-11315	228,00	TC40-HC20-80,5	40	20	50	43	40	80,5	48	42,5	52,5	10	M8x1	A	•
252-11317	228,00	TC40-HC25-80,5	40	25	66	57	53	80,5	26	51	61	10	M16x1	B	•
252-11318	228,00	TC40-HC32-80,5	40	32	80	63	60	80,5	26	55	65	10	M16x1	B	•

*COMPACT VERSION

MAS 403/BT AD



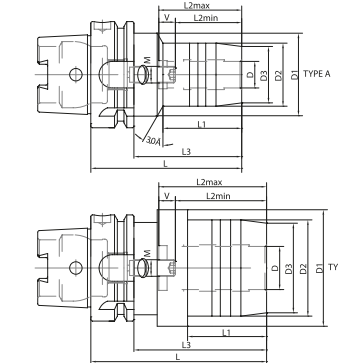
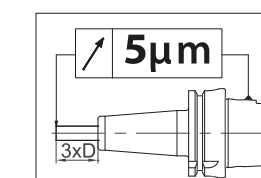
CODE N.	PRICE	DESCRIPTION	ISO	D	D1	D2	D3	L	L1	L2 min	L2 max	V	M	TYPE	G2,5 25000
252-11422	232,00	BT40-HC6-90	40	6	50	28	25	90	44	27,5	37,5	10	M5x0,8	A	•
252-11423	232,00	BT40-HC8-90	40	8	50	30	27	90	39	27,5	37,5	10	M6x1	A	•
252-11424	228,00	BT40-HC10-90	40	10	50	32	29	90	44	32,5	42,5	10	M6x1	A	•
252-11425	228,00	BT40-HC12-90	40	12	50	34	31	90	44	37,5	47,5	10	M6x1	A	•
252-11426	228,00	BT40-HC14-90	40	14	50	36	33	90	44	37,5	47,5	10	M6x1	A	•
252-11427	228,00	BT40-HC16-90	40	16	50	38	35	90	48	42,5	52,5	10	M8x1	A	•
252-11428	228,00	BT40-HC18-90	40	18	50	41	38	90	48	42,5	52,5	10	M8x1	A	•
*252-11443	184,00	BT40-G20CS-72,5	40	20	-	49,5	40	72,5	45,5	42,5	52,5	10	M8x1	B	•
252-11429	228,00	BT40-HC20-90	40	20	50	43	40	90	48	42,5	52,5	10	M8x1	A	•
252-11483	228,00	BT40-HC25-100	40	25	-	57	53	100	73	51	61	10	M16x1	B	•
252-11485	228,00	BT40-HC32-105	40	32	-	63	58	105	-	55	65	10	M16x1	B	•

*COMPACT VERSION

HYDRO-EXPANSION CHUCKS FOR TOOLS WITH CYLINDRICAL SHANK

HYDRO-DEHNSPANNFUTTER FÜR WERKZEUGE MIT ZYLINDERSCHAFT MANDRINI IDRAULICI PER UTENSILI ATTACCO CILINDRICO
 CONOS HIDRAULICOS PARA HERRAMIENTAS CON MANGO CILINDRICO MANDRINS HYDRO-EXPANSIBLES POUR OUTILS
 А QUEUE CYLINDRIQUE
 ГИДРАВЛИЧЕСКИЕ ПАТРОНЫ ДЛЯ ИНСТРУМЕНТА А QUEUE CYLINDRIQUE
 С ЦИЛИНДРИЧЕСКИМ ХВОСТОВИКОМ 适用圆柱刀柄的液压膨胀夹头

DIN69893 A



CODE N.	PRICE	DESCRIPTION	HSK	D	D1	D2	D3	L	L1	L3	L2 min	L2 max	V	M	TYPE	G2,5 25000
252-11737	300,00	HSK63A-HC6-70	63	6	50	28	25	70	24	44	27,5	37,5	10	M5x0,8	A	•
252-11738	300,00	HSK63A-HC8-70	63	8	50	30	27	70	24	44	27,5	37,5	10	M6x1	A	•
252-11739	272,00	HSK63A-HC10-80	63	10	50	32	29	80	35	54	32,5	42,5	10	M6x1	A	•
252-11740	272,00	HSK63A-HC12-85	63	12	50	34	31	85	40	59	37,5	47,5	10	M6x1	A	•
252-11741	272,00	HSK63A-HC14-85	63	14	50	36	33	85	40	59	37,5	47,5	10	M6x1	A	•
252-11742	272,00	HSK63A-HC16-90	63	16	50	38	35	90	46	64	42,5	52,5	10	M8x1	A	•
*252-11744	272,00	HSK63A-HC20-90	63	20	50	43	40	90	48	64	42,5	52,5	10	M8x1	A	•
252-11746	272,00	HSK63A-HC32-125	63	32	75	63	58	125	63	99	55	65	10	M16x1	B	•

*COMPACT VERSION

HYDRAULIC KIT

HYDRO-DEHNSPANNFUTTERSATZ KIT IDRAULICO
 SET HIDRAULICO JEUX HYDRAULIQUE
 НАБОРЫ ГИДРОПЛАСТОВЫХ ПАТРОНОВ С ЦАНГАМИ 液压组套

- Kit Box:** 1 hydraulic chuck + 1 collets kit + 1 wrench
Cassetta Corredo: 1 mandrino "idraulico" + 1 serie pinze + 1 chiave
Ausstattungskasten: 1 Hydro-Dehnspannfutter + 1 Spannzangensatz + 1 Spannschlüssel
Contenido del set: 1 Cono hidraulico + 1 Juego de pinzas + 1 Llave
Boîte d'équipement: 1 mandrin hydraulique + 1 jeux de pince + 1 clé
Набор: 1 гидропластовый патрон + 1 ключ + 1 набор втулок
组套箱: 1个液压夹头 + 1个夹头组套 + 1个扳手

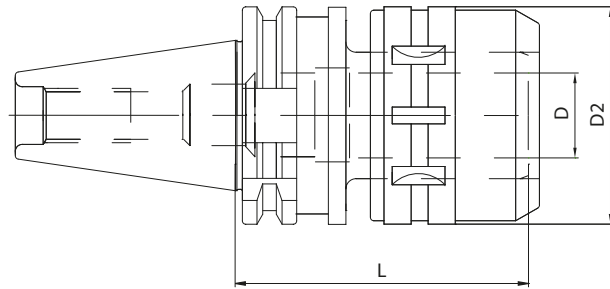


CODICE ORDINAZIONE ORDER CODE	PRICE	COMPOSIZIONE COMPOSITION
ISO 40 KIT TC40 G20	407,00	N°1 TC40 H64,5 G20-WO + n°5 pinze GX20: Ø6,8,10,12,16
ISO 40 KIT TC40 G32	555,00	N°1 TC40 H80,5 G32-WO + n°7 pinze GX32: Ø10,12,14,16,18,20,25
ISO 40 KIT BT40 G20	407,00	N°1 BT40 H72,5 G20-WO + n°5 pinze GX20: Ø6,8,10,12,16
ISO 40 KIT BT40 G32	555,00	N°1 BT40 H105 G32-WO + n°7 pinze GX32: Ø10,12,14,16,18,20,25
HSK KIT HSK63A G20	484,00	N°1 HSK63A H90 G20 + n°5 pinze GX20: Ø6,8,10,12,16
HSK KIT HSK63A G32	588,00	N°1 HSK63A H125 G32 + n°7 pinze GX32: Ø10,12,14,16,18,20,25

MILLING CHUCK

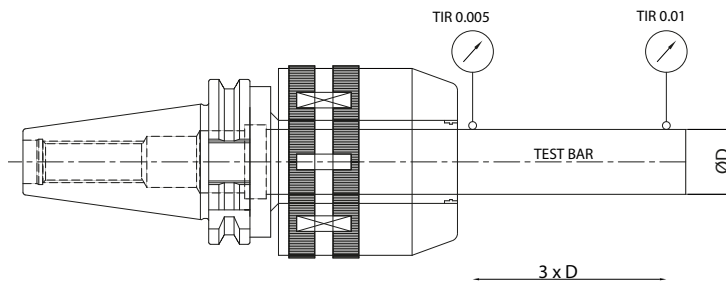
KRAFTSPANNFUTTER MANDRINI A FORTE SERRAGGIO
 CONOS PORTAHERRAMIENTAS DE GRAN APRIETE MANDRINS A FORT SERRAGE
 УСИЛЕННЫЕ ОПРАВКИ 铣夹头

DIN 69871 AD



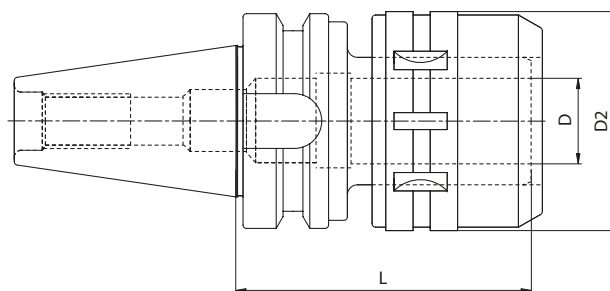
SUPPLIED WITH WRENCH • FORNITI CON CHIAVE INCLUSA
 SE SUMINISTRA CON LLAVE • INKLUSIVE SPANNSCHLÜSSEL
 CLÉ INCLUSE • ПОСТАВЛЯЕТСЯ С КЛЮЧОМ
 供货时提供扳手

CODE N.	PRICE	DESCRIPTION	ISO	D	D2	L	G6,3 12000 RPM
214-01308	136,00	TC40H90C20	40	20	54	90	•
214-01301	136,00	TC40H105C20	40	20	54	105	•
214-01302	148,00	TC40H105C32	40	32	72	105	•
214-01304	160,00	TC50H105C20	50	20	54	105	•
214-01305	175,00	TC50H105C32	50	32	72	105	•
214-01306	203,00	TC50H135C32	50	32	72	135	•



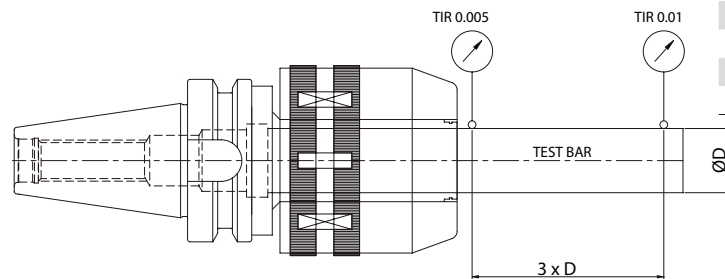
MILLING CHUCK (diameter)	SPECIFICATION (DIN)	TOLERANCE (Taper shank)	RUN-OUT (3xD)	CLAMPING TORQUE
C20	AT3	TC40 (0~+0,003)	0~0,01	980M.m (100 Kgf.m)
C32		TC50 (0~+0,004)		3430M.m (350 Kgf.m)

JIS-B 6339 MAS 403/BT AD



SUPPLIED WITH WRENCH • FORNITI CON CHIAVE INCLUSA
 SE SUMINISTRA CON LLAVE • INKLUSIVE SPANNSCHLÜSSEL
 CLÉ INCLUSE • ПОСТАВЛЯЕТСЯ С КЛЮЧОМ
 供货时提供扳手

CODE N.	PRICE	DESCRIPTION	ISO	D	D2	L	G6,3 12000 RPM
214-01508	136,00	BT40H80C20	40	20	54	80	•
214-01501	136,00	BT40H105C20	40	20	54	105	•
214-01502	148,00	BT40H105C32	40	32	72	105	•
214-01504	148,00	BT50H105C20	50	20	54	105	•
214-01505	176,00	BT50H105C32	50	32	72	105	•
214-01506	203,00	BT50H135C32	50	32	72	135	•

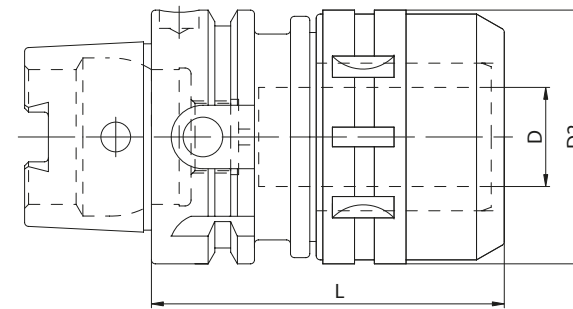


MILLING CHUCK (diameter)	SPECIFICATION (DIN)	TOLERANCE (Taper shank)	RUN-OUT (3xD)	CLAMPING TORQUE
C20	AT3	BT40 (0~+0,003)	0~0,01	980M.m (100 Kgf.m)
C32		BT50 (0~+0,004)		3430M.m (350 Kgf.m)

MILLING CHUCK

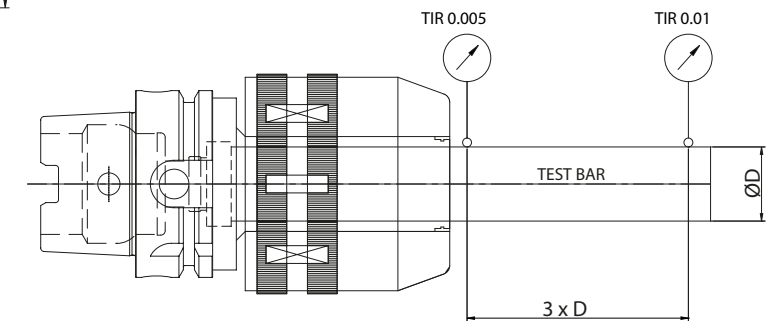
KRAFTSPANNFUTTER MANDRINI FORTE SERRAGGIO
 CONOS PORTAHERRAMIENTAS DE GRAN APRIETE MANDRINS A FORT SERRAGE
 УСИЛЕННЫЕ ОПРАВКИ 铣夹头

DIN 69893 A+C



HSK	CODE N.	PRICE	DESCRIPTION	D	D2	L	G6,3 12000
63	214-01701	300,00	HSK63AH105C20	20	54	105	•
63	214-01702	300,00	HSK63AH130C32	32	72	130	•

• SUPPLIED WITH WRENCH • FORNITI CON CHIAVE INCLUSA
 • INKLUSIVE SPANNSCHLÜSSEL • CLÉ INCLUSE
 • ПОСТАВЛЯЕТСЯ С КЛЮЧОМ • 供货时提供扳手



MILLING CHUCK (diameter)	SPECIFICATION (DIN)	RUN-OUT (3xD)	CLAMPING TORQUE
C20	DIN 69893 A	0~0,01	980M.m (100 Kgf.m)
C32	HSK40A		3430M.m (350 Kgf.m)
	HSK50A		
	HSK63A		
	HSK100A		

MILLING CHUCK KITS

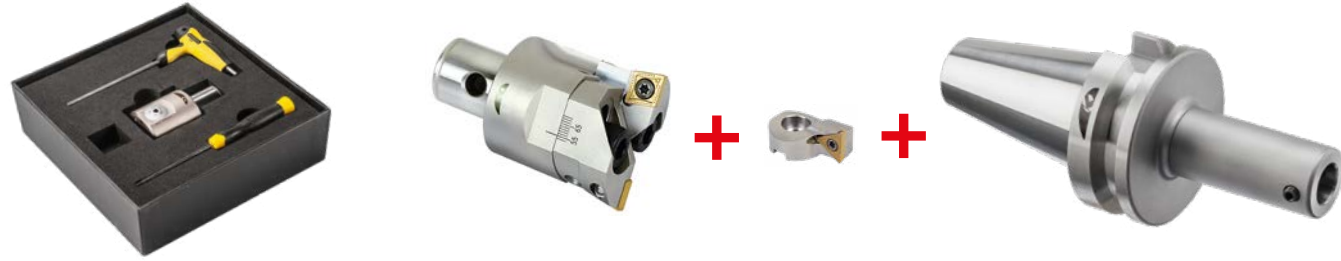
KRAFTSPANNFUTTERSATZ KIT FORTE SERRAGGIO
 SET DE GRAN APRIETE JEUX À FORT SERRAGE
 НАБОРЫ СИЛОВЫХ ПАТРОНОВ С ЦАНГАМИ К НИМ 铣夹头组套

- Kit Box:** 1 milling chuck + 1 collets kit + 1 wrench
Cassetta Corredo: 1 mandrino forte serraggio + 1 serie pinze + 1 chiave
Ausstattungskasten: 1 Kraftspannfutter + 1 Spannzangensatz + 1 Spannschlüssel
Contenido del set: 1 cono de gran apriete + 1 juego de pinzas + 1 llave
Boîte d'équipement: 1 mandrin à fort serrage + 1 jeux de pince + 1 clé
Набор: 1 патрон + 1 набор цанг + 1 ключ
组件盒: 1 个铣夹头 + 1 个夹头套装 + 1 个扳手



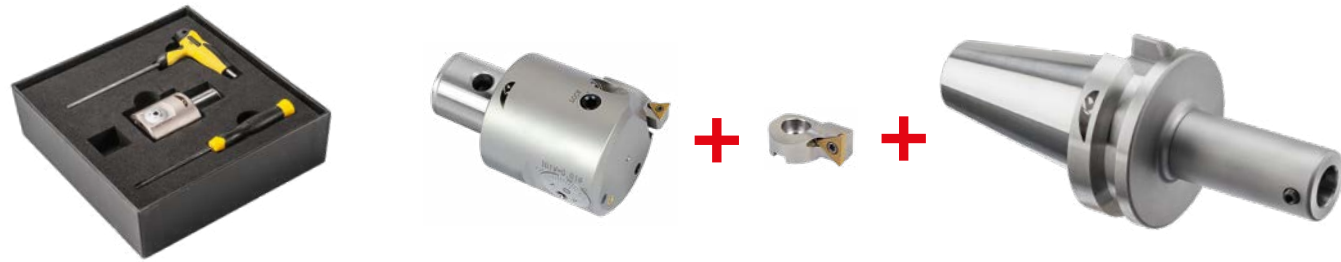
CODICE ORDINAZIONE ORDER CODE	PRICE	COMPOSIZIONE COMPOSITION
ISO 40 KIT TC40 C20	188,00	N°1 TC 40 L90 C20 + n°5 pinze K20: Ø6,8,10,12,16
ISO 40 KIT TC40 C32	234,00	N°1 TC 40 L105 C32 + n°7 pinze K32: Ø6,8,10,12,16,20,25
ISO 50 KIT TC50 C20	214,00	N°1 TC 50 L105 C20 + n°5 pinze K20: Ø6,8,10,12,16
ISO 50 KIT TC50 C32	260,00	N°1 TC 50 L105 C32 + n°7 pinze K32: Ø6,8,10,12,16,20,25
ISO 40 KIT BT40 C20	188,00	N°1 BT40 L80 C20 + n°5 pinze K20: Ø6,8,10,12,16
ISO 40 KIT BT40 C32	234,00	N°1 BT40 L80 C32 + n°7 pinze K32: Ø6,8,10,12,16,20,25
ISO 40 KIT BT 50 C20	214,00	N°1 BT 50 L105 C20 + n°5 pinze K20: Ø6,8,10,12,16
ISO 40 KIT BT50 C32	275,00	N°1 BT 50 L105 C32 + n°7 pinze K32: Ø6,8,10,12,16,20,25
HSK KIT HSK63A C20	338,00	N° HSK63AH105C20 + n°5 pinze K20: Ø6,8,10,12,16 + chiave
HSK KIT HSK63A C32	370,00	N° HSK63AH120C32 + n°7 pinze K32: Ø6,8,10,12,16,20,25 + chiave

KIT MODULAR BORING HEADS



CODE	PRICE	TOOLHOLDER	HEAD	CARTRIDGE
KIT523BT40MD2	310,00	290-01501	BT40H85MD2	523-90001 DOUBLE - BIT HEADS MD2 524-90001 25-33 CC..0602..
KIT523BT40MD3	330,00	290-01503	BT40H95MD3	523-90002 DOUBLE - BIT HEADS MD3 524-90002 32-42 CC..09T3..
KIT523BT40MD4	365,00	290-01505	BT40H85MD4	523-90003 DOUBLE - BIT HEADS MD4 524-90003 41-54 CC..0903..
KIT523HSKMD2	470,00	290-01701	HSK63AH85MD2	523-90001 DOUBLE - BIT HEADS MD2 524-90001 25-33 CC..0602..
KIT523HSKMD3	490,00	290-01703	HSK63AH95MD3	523-90002 DOUBLE - BIT HEADS MD3 524-90002 32-42 CC..09T3..
KIT523HSKMD4	515,00	290-01705	HSK63AH85MD4	523-90003 DOUBLE - BIT HEADS MD4 524-90003 41-54 CC..0903..
KIT523SK40MD2	310,00	290-01201	TC40H85MD2	523-90001 DOUBLE - BIT HEADS MD2 524-90001 25-33 CC..0602..
KIT523SK40MD3	330,00	290-01203	TC40H95MD3	523-90002 DOUBLE - BIT HEADS MD3 524-90002 32-42 CC..09T3..
KIT523SK40MD4	365,00	290-01205	TC40H85MD4	523-90003 DOUBLE - BIT HEADS MD4 524-90003 41-54 CC..0903..

KIT

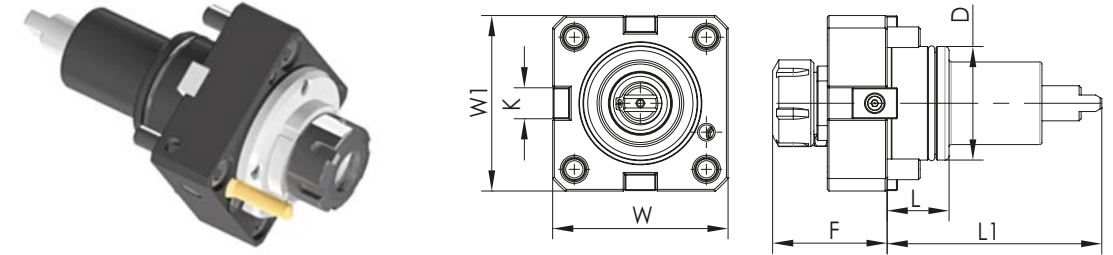


CODE	PRICE	TOOLHOLDER	HEAD	CARTRIDGE
KIT533BT40MD2	635,00	290-01501	BT40H85MD2	533-90001 FINISHING BORING HEAD MD2-FNT25-47 534-90001 25-33 TC..06T102..
KIT533BT40MD3	655,00	290-01503	BT40H95MD3	533-90002 FINISHING BORING HEAD MD3-FNT32-60 534-90004 32-42 TC..06T102..
KIT533BT40MD4	720,00	290-01505	BT40H85MD4	533-90003 FINISHING BORING HEAD MD4-FNT41-74 534-90007 41-54 TC..1102..
KIT533HSKMD2	795,00	290-01701	HSK63AH85MD2	533-90001 FINISHING BORING HEAD MD2-FNT25-47 534-90001 25-33 TC..06T102..
KIT533HSKMD3	815,00	290-01703	HSK63AH95MD3	533-90002 FINISHING BORING HEAD MD3-FNT32-60 534-90004 32-42 TC..06T102..
KIT533HSKMD4	875,00	290-01705	HSK63AH85MD4	533-90003 FINISHING BORING HEAD MD4-FNT41-74 534-90007 41-54 TC..1102..
KIT533SK40MD2	635,00	290-01201	TC40H85MD2	533-90001 FINISHING BORING HEAD MD2-FNT25-47 534-90001 25-33 TC..06T102..
KIT533SK40MD3	655,00	290-01203	TC40H95MD3	533-90002 FINISHING BORING HEAD MD3-FNT32-60 534-90004 32-42 TC..06T102..
KIT533SK40MD4	720,00	290-01205	TC40H85MD4	533-90003 FINISHING BORING HEAD MD4-FNT41-74 534-90007 41-54 TC..1102..

AXIAL DRILLING AND MILLING HEAD

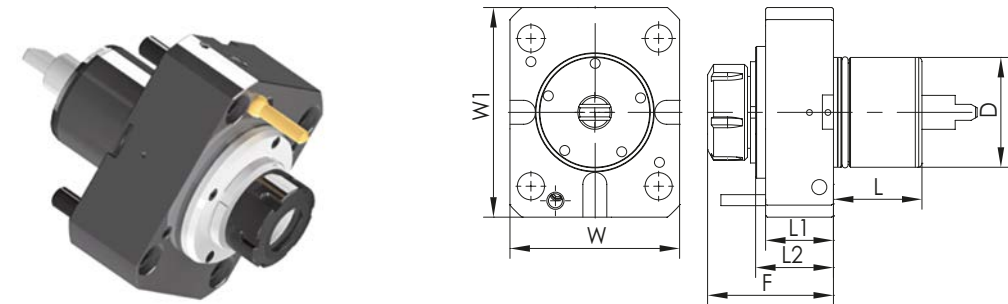
AXIAL BOHR- UND FRÄSKOPF PORTAUTENSILE MOTORIZZATO ASSIALE
 PORTAHERRAMIENTAS MOTORIZADAS AXIAL TÊTE DE PERÇAGE ET FRAISAGE
 АКСИАЛЬНАЯ СВЕРЛИЛЬНО-ФРЕЗЕРНАЯ ГОЛОВКА 轴向钻头

BMT



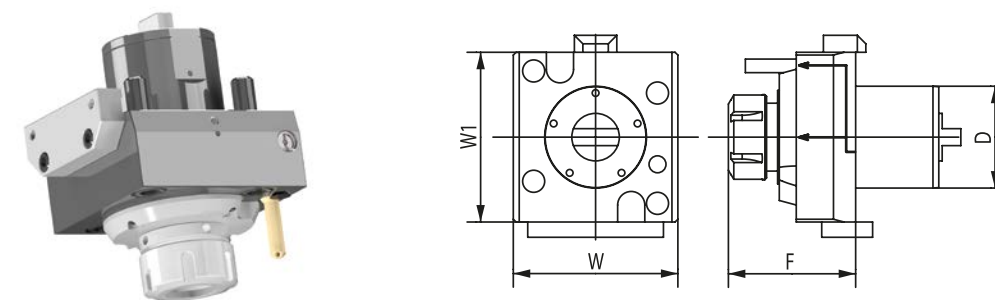
CODE N.	PRICE	BMT	ER	D	F	K	L	L1	W	W1	MAX: SPEED (Rpm)	I	MAX: TORQUE Nm	INTERNAL COOLING
124-04502	915,00	45	ER25	45	67,6	15	40	84	78,5	75	6000	1:1	50	yes
124-05501	850,00	55	ER25	55	71	15	30	104	85	85	6000	1:1	50	no
124-06509	940,00	55	ER25	55	71	15	30	104	85	85	6000	1:1	50	yes
124-06501	1.020,00	65	ER32	65	75	18	32	112	94	94	6000	1:1	70	no
124-06508	1.100,00	65	ER32	65	75	18	32	112	94	94	6000	1:1	70	yes

MORI SEIKI NL2000



CODE N.	PRICE	ER	D	F	L	L1	L2	W	W1	TORQUE (Nm)	Nmax (rpm)	I	INTERNAL COOLING	P (bar)
124-06003	1.345,00	ER32	60	89	53	48,5	58	108	130	70	6000	1:1	yes	20

OKUMA BMT60

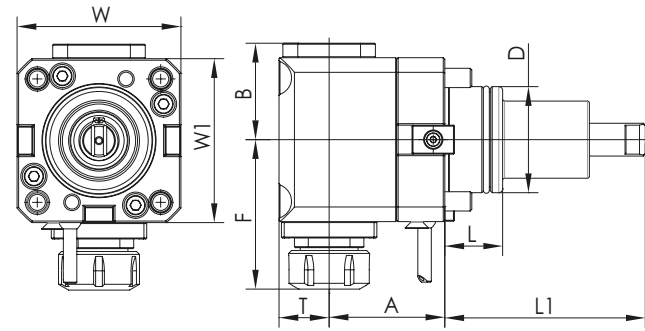
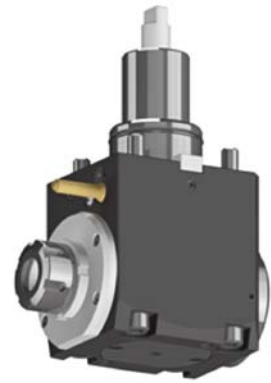


CODE N.	PRICE	D	ER	INTERNAL COOLING	F	W	W1	TORQUE (Nm)	Nmax (rpm)	RATIO	P (bar)
124-06005	1.360,00	60	ER32	no	87	97	100	70	6000	1:1	-
124-06006	1.525,00	60	ER32	yes	87	97	100	70	6000	1:1	20

RADIAL DRILLING AND MILLING HEAD

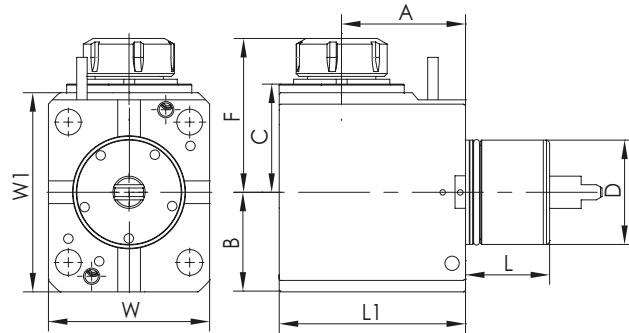
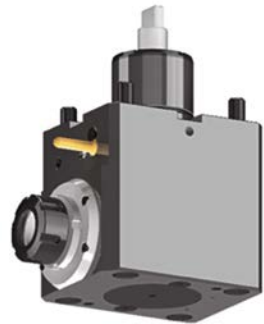
RADIAL BOHR- UND FRÄSKOPF PORTAUTENSILE MOTORIZZATO RADIALE
 PORTAHERRAMIENTAS MOTORIZADAS RADIAL TÊTE DE PERÇAGE ET FRAISAGE RADIAL
 РАДИАЛЬНАЯ СВЕРЛИЛЬНО-ФРЕЗЕРНАЯ ГОЛОВКА 径向钻头

BMT



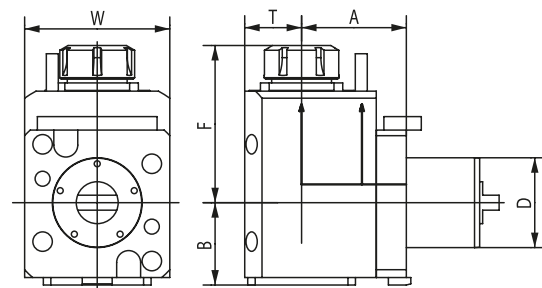
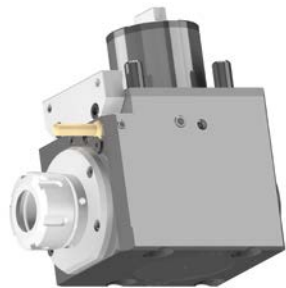
CODE N.	PRICE	BMT	ER	D	A	B	F	L	L1	T	W	W1	MAX: SPEED (Rpm)	I	MAX: TORQUE Nm	INTERNAL COOLING	P BAR
124-04504	1.575,00	45	ER25	45	65	57	97,6	40	84	36,5	75	83	6000	1:1	50	yes	20
124-05502	1.625,00	55	ER25	55	70	57	98	30	104	36,5	85	98	6000	1:1	50	no	-
124-06510	1.715,00	55	ER25	55	70	57	98	30	104	36,5	85	98	6000	1:1	50	yes	20
124-05511	1.625,00	55	ER25	55	85	57	98	30	104	36,5	85	98	6000	1:1	50	no	-
124-05512	1.715,00	55	ER25	55	85	57	98	30	104	36,5	85	98	6000	1:1	50	yes	20
124-06502	1.775,00	65	ER32	65	72	59	111	32	112	38	94	100	6000	1:1	70	no	-
124-06512	1.850,00	65	ER32	65	72	59	111	32	112	38	94	100	6000	1:1	70	yes	20
124-06513	1.950,00	65	ER32	65	100	59	111	32	112	38	94	100	6000	1:1	70	no	-
124-06514	2.025,00	65	ER32	65	100	59	111	32	112	38	94	100	6000	1:1	70	yes	20

MORI SEIKI NL2000



CODE N.	PRICE	ER	D	F	L	L1	A	B	C	W	W1	TORQUE (Nm)	Nmax (rpm)	I	INTERNAL COOLING	P (bar)
124-06004	2.000,00	ER32	60	107	53	128	90	65	78	108	130	70	6000	1:1	yes	20

OKUMA BMT60

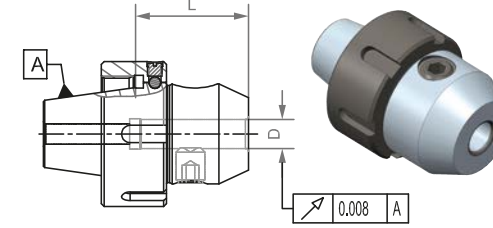


CODE N.	PRICE	D	ER	INTERNAL COOLING	DIRECTION	A	B	F	T	W	TORQUE (Nm)	Nmax (rpm)	RATIO	P (bar)
124-06007	2.050,00	60	ER32	no	right/left	70	59	111	38	94	70	6000	1:1	-
124-06008	2.175,00	60	ER32	yes	right/left	70	59	111	38	94	70	6000	1:1	20

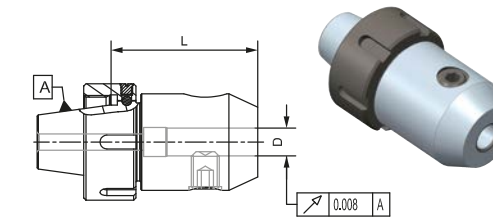
END MILL HOLDERS WELDON

ZYLINDERSCHAFTAUFNAHME WELDON MANDRINI PORTAFRESE TIPO WELDON
 CONOS PORTAHERRAMIENTAS WELDON MANDRINS POUR OUTILS TYPE WELDON
 ОПРАВКИ С КРЕПЛЕНИЕМ WELDON 威尔登式端铣头

SHORT



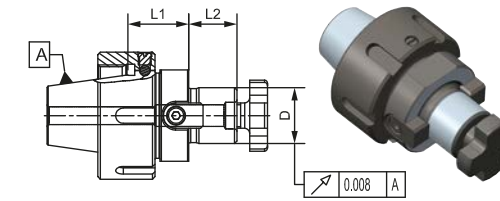
CODE N.	DESCRIPTION	D	L	PRICE
213-16707	ER25H35WE06	6	35	160,00
213-16709	ER25H39WE10	10	39	160,00
213-16710	ER25H43WE12	12	43	160,00
213-16701	ER32H35WE06	6	35	160,00
213-16702	ER32H35WE08	8	35	160,00
213-16703	ER32H39WE10	10	39	160,00
213-16704	ER32H43WE12	12	43	160,00



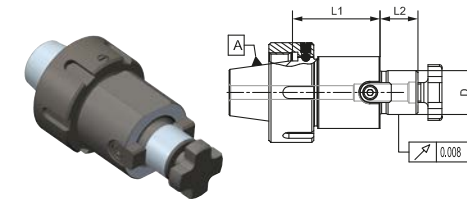
CODE N.	DESCRIPTION	D	L	PRICE
213-16715	ER32H55WE06	6	55	175,00
213-16717	ER32H59WE10	10	59	175,00
213-16718	ER32H63WE12	12	63	175,00
213-16720	ER32H65WE16	16	65	175,00

FACE MILL HOLDERS-TENONS DRIVE

AUFSTECKFRÄSDORNE FÜR FRÄSER MIT QUERNUT MANDRINI PORTAFRESE A TRASCINAMENTO FISSO
 CONOS PORTAFRESAS CON REFRIGERACION INTERNA MANDRINS PORTE-FRAISE-ENTRAINEMENT PAR TENONS
 ОПРАВКИ ДЛЯ НАСАДНЫХ ФРЕЗ С УВЕЛИЧЕННЫМ ДИАМЕТРОМ КОРПУСА 平面铣刀柄 - 凸榫驱动带有更大的法兰直径



CODE N.	DESCRIPTION	D	L1	L2	PRICE
216-76704	ER25H22D16	16	22	17	155,00
216-76705	ER25H24D22	22	24	19	155,00
216-76701	ER32H22D16	16	22	17	163,00
216-76702	ER32H24D22	22	24	19	163,00
216-76703	ER32H26D27	27	26	21	170,00

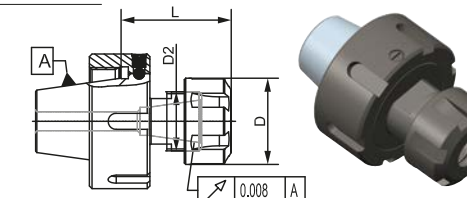


CODE N.	DESCRIPTION	D	L1	L2	PRICE
216-76708	ER32H42D16	16	42	17	170,00
216-76709	ER32H44D22	22	44	19	170,00

ER COLLET CHUCK

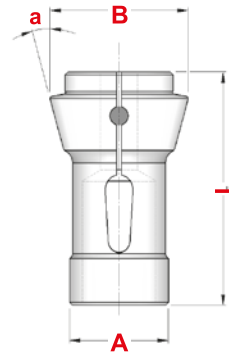
SPANNZANGENFUTTER ER TYP MANDRINI PORTAPINZA TIPO ER
 CONOS PORTAPINZAS TIPO ER MANDRINS A PINCES TYPE ER
 ЦАНГОВЫЕ ПАТРОНЫ ER ER 弹簧夹头

SHORT



CODE N.	DESCRIPTION	ER	D	D2	L	PRICE
214-36704	ER32H41ER16	16	32	22	41	165,00
214-36705	ER32H43ER20	20	35	25	43	165,00
214-36706	ER32H45ER25	25	42	32	45	165,00
214-36707	ER32H48ER32	32	50	40	48	165,00

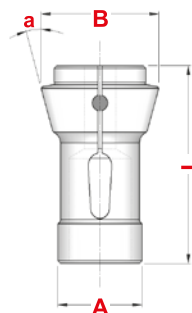
Tonda Round		DIN 6343		PINZE DI CHIUSURA A CONO SEMPLICE SINGLE CONE CLAMPING COLLETS				
Art.	A	B	L	a	∅ max	Einheits	PRICE	
G0721	8,0	12,0	42,0	16°	6,5	101E	19,85	
G0725	10,0	15,5	47,5	20°	8,0	109E	22,30	
G0940	13,0	19,0	64,0	16°	10,0	116E	18,75	
G0740	14,0	18,0	46,0	13°	10,0	117E	18,75	
G0722	15,0	21,0	64,0	16°	12,0	120E	16,15	
G0954	20,0	26,0	54,0	15°	16,0	136E	25,60	
G0937	20,0	28,0	67,0	16°	16,0	138E	18,75	
G0717	25,0	35,0	77,0	16°	20,0	145E	20,60	
G0713	28,0	38,0	70,0	15°	23,0	148E	18,50	
G0727	30,0	42,0	80,0	16°	25,0	157E	33,25	
G0701	32,0	45,0	75,0	15°	26,0	161E	19,10	
G0764	35,0	48,0	80,0	15°	30,0	163E	32,10	
G0970	37,0	47,0	92,0	16°	32,0	1536E	38,15	
G0861	42,0	55,0	94,0	15°	37,0	171E	38,65	
G0709	48,0	60,0	94,0	15°	42,0	173E	35,85	
G2424	58,0	70,0	94,0	15°	52,0	177E	61,55	
G0759	66,0	84,0	110,0	15°	60,0	185E	64,45	



Nelle pinze tonde, l'articolo si riferisce all'esecuzione con interno rigato. For round collets, the article refers to the execution with grooved inside.

In caso di ordine aggiungere al codice il diametro richiesto: Es. 0721D02 per d.02
In case of order please add to the code the requested diameter e.g. 0721D02 for d.02

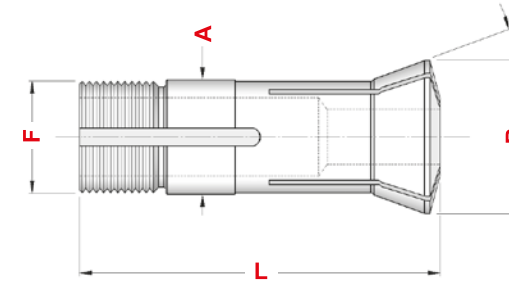
Tonda Round		DIN 6343		PINZE DI EMERGENZA LAVORABILI EMERGENCY COLLETS				
Art.	A	B	L	a	Einheits	PRICE		
G0717 EC	25,0	35,0	77,0	16°	145E	35,55		
G0701 EC	32,0	45,0	75,0	15°	161E	38,60		
G0970 EC	37,0	47,0	92,0	16°	1536E	61,40		
G0709 EC	48,0	60,0	94,0	15°	173E	61,45		
G2424 EC	58,0	70,0	94,0	15°	177E	81,35		
G0759 EC	66,0	84,0	110,0	15°	185E	83,60		



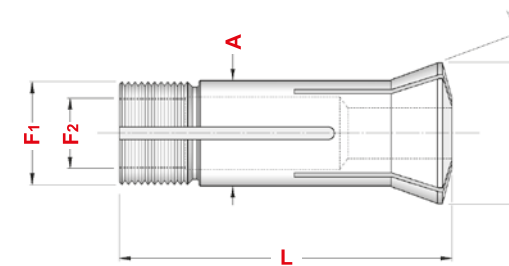
Le pinze di emergenza possono essere finite dal cliente con il diametro di presa o la sagoma desiderata grazie alla parte anteriore lavorabile.
La fornitura comprende le spine di registro utili per il posizionamento nel mandrino.

Emergency collets can be finished by the customer with the diameter or the desired shape thanks to the workable front.
The supply includes the register pins useful for positioning in the spindle.

Tonda Round		PINZE TIRATE CON FILETTO ESTERNO DRAWN BACK COLLETS WITH EXTERNAL THREAD									
Art.	A	B	L	a	F	∅ max	W	Einheits	PRICE		
G0750	15,0	21,5	55,0	20°	M 13 x1,00	13,0	—	324E	20,55		
G0800	20,0	26,3	73,0	15°	19,70 x 1,66 45/5°	20,0	W20	349E	28,40		
G0966	20,0	28,0	122,0	17°30'	19,70 x 2,00 45/5°	20,0	—	355E	37,30		
G0751	25,0	33,5	88,0	16°	M 23 x 1,00	22,0	—	363E	32,40		
G0674	25,0	33,7	97,6	15°	24,70 x 15 f" 45/5°	25,0	W25	364E	35,55		
G5522	31,75	37,3	87,0	10°03'	31,40 x 20 f" 60°	26,0	W 31,75	385E	36,55		



Tonda Round		5C		PINZE TIRATE CON FILETTO ESTERNO ED INTERNO DRAWBACK COLLETS WITH EXTERNAL AND INTERNAL THREAD						
Art.	A	B	L	a	F1	F2	∅ max	TIPO	PRICE	
G5523	31,75	37,3	87,0	10°03'	31,4 x 20 f" 60°	26,59 x 24 f"	26,0	5C	17,10	





Production Plant Italy
Kintek S.R.L.
Mappano - Torino
Italy



Head Office
Kintek S.R.L.
Mappano - Torino
Italy



Production Plant Hungary
Kintek Tooling KFT
Bekescsaba
Hungary



Gait S.r.l.
Bologna - Italy

KINTEK s.r.l.

Società a responsabilità limitata Unipersonale
Società soggetta alla direzione
e coordinamento di KINTEK HOLDING S.r.l.

Via Goretta 88/G - 10079 MAPPANO (TO) - Italy
Tel.: +39 011 99 68 065 - Fax: +39 011 99 65 662
E-mail: info@kintek.it - Url: www.kintek.it

Cod. Fisc. e Partita Iva: 08746040016 - Cap. Soc.: € 179.850,00
R.E.A: 997323 - R.I. Uff. To: 08746040016
Codice Univoco: M5UXCR1

KINTEK®